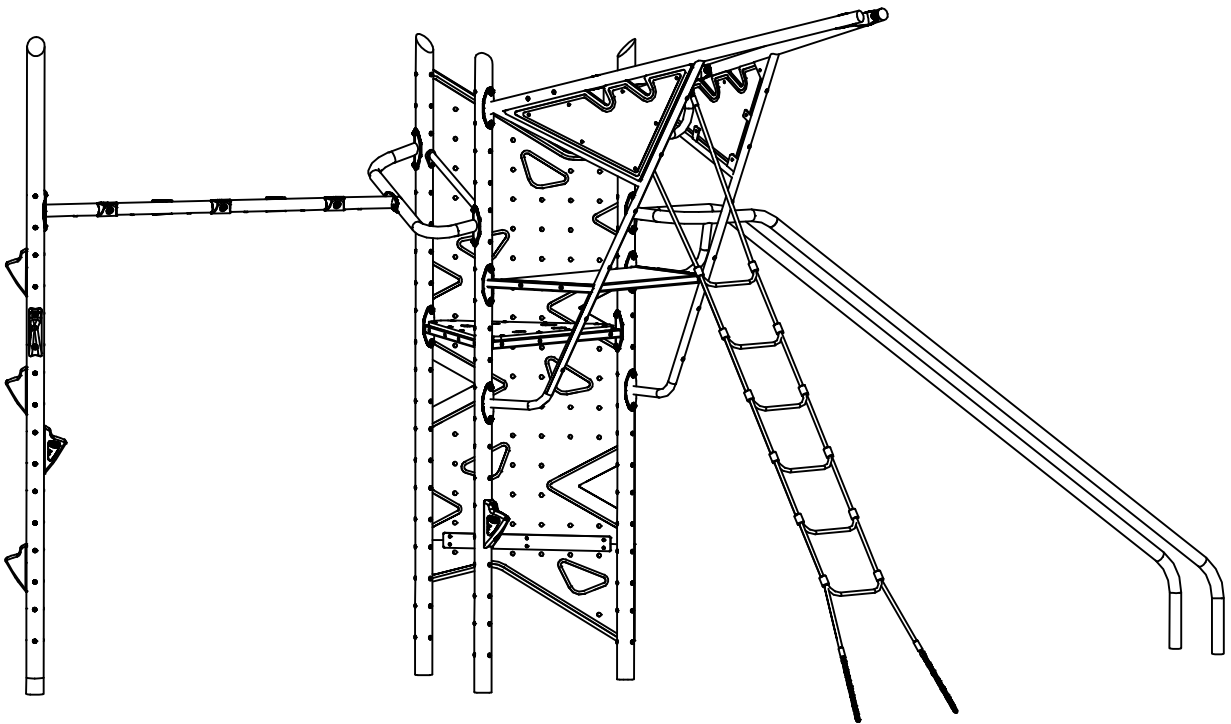
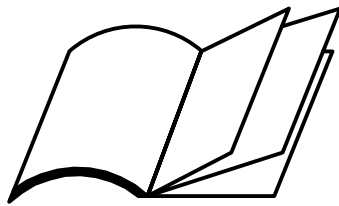


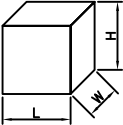
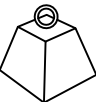
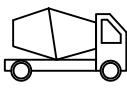
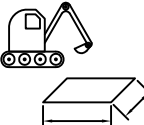
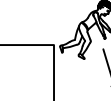

HAGS

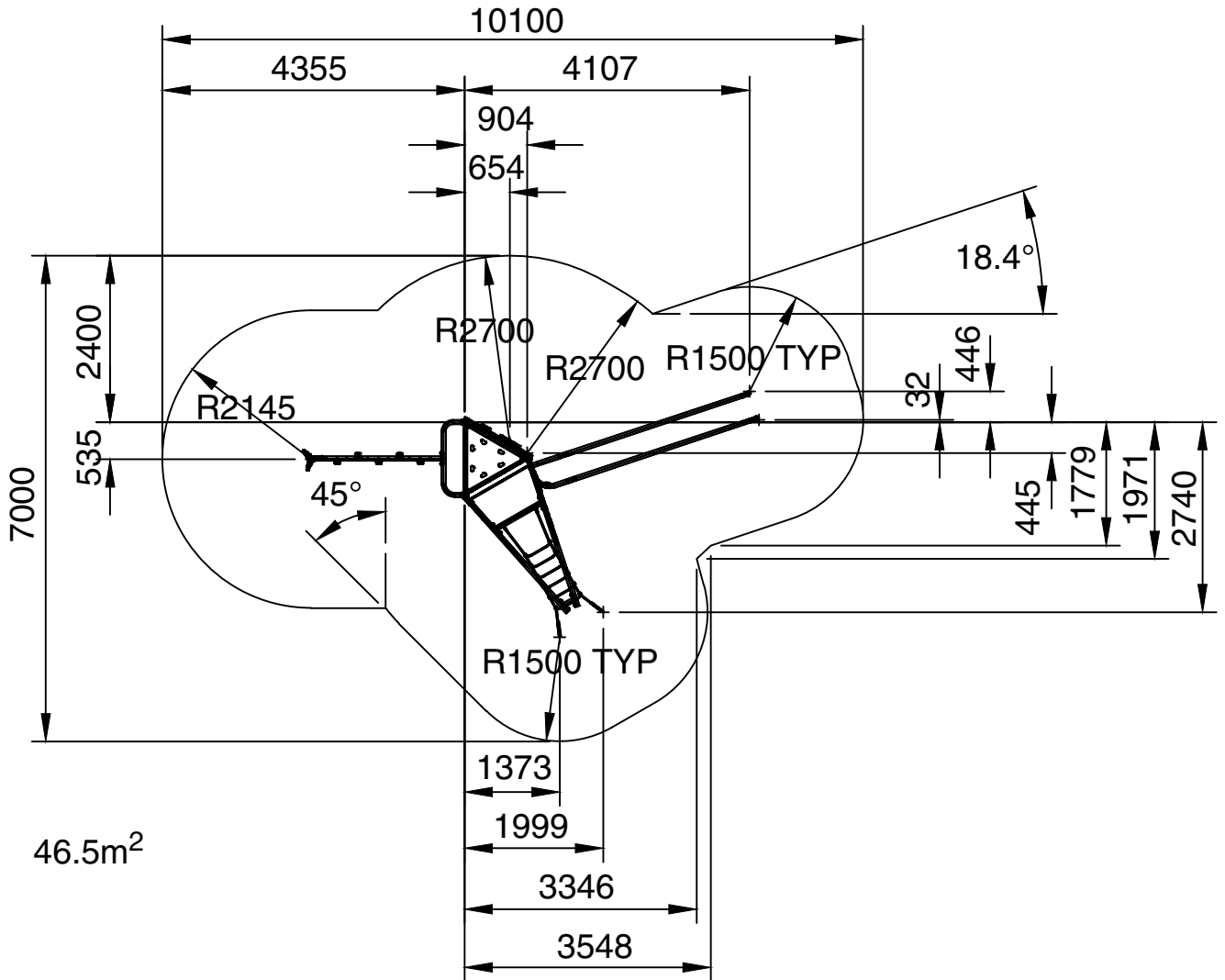
NEXUS ALTITUDE NXA-01B

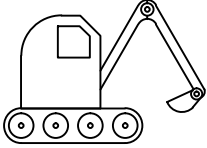




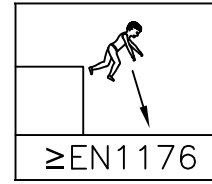
Section 1:

	 LxWxH (m)	 kg	 m ³	 m	 ≥EN1176	 x 3 = T
NXA-01B	6.57 x 3.55 x 3.57	468.0	1.63	11.5 X 8.5	2.7m	T = 24h

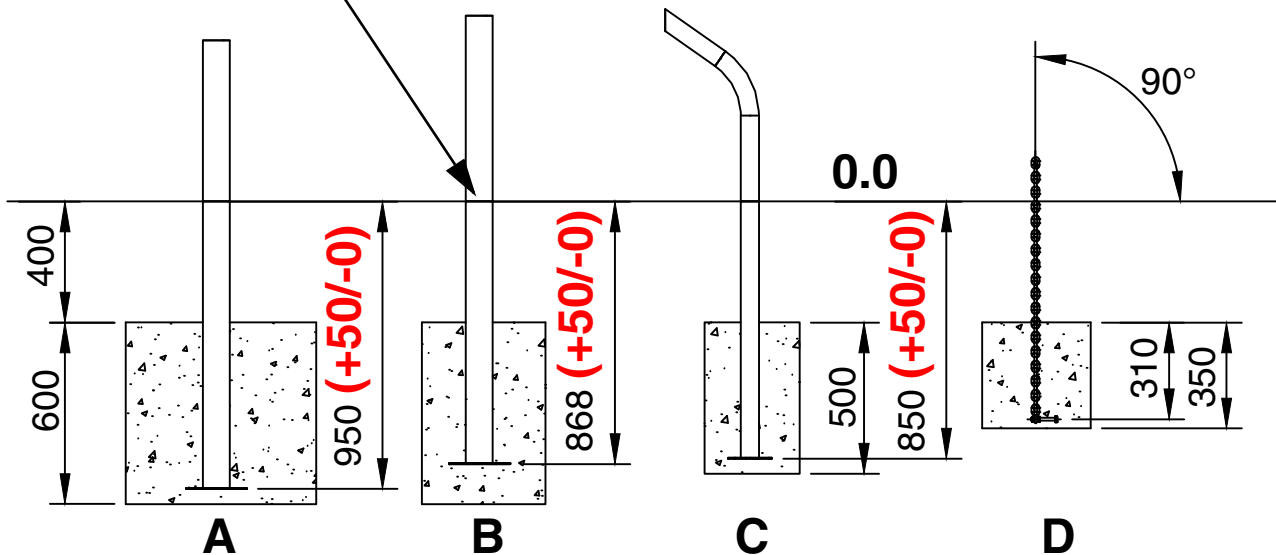
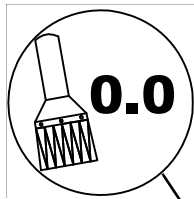
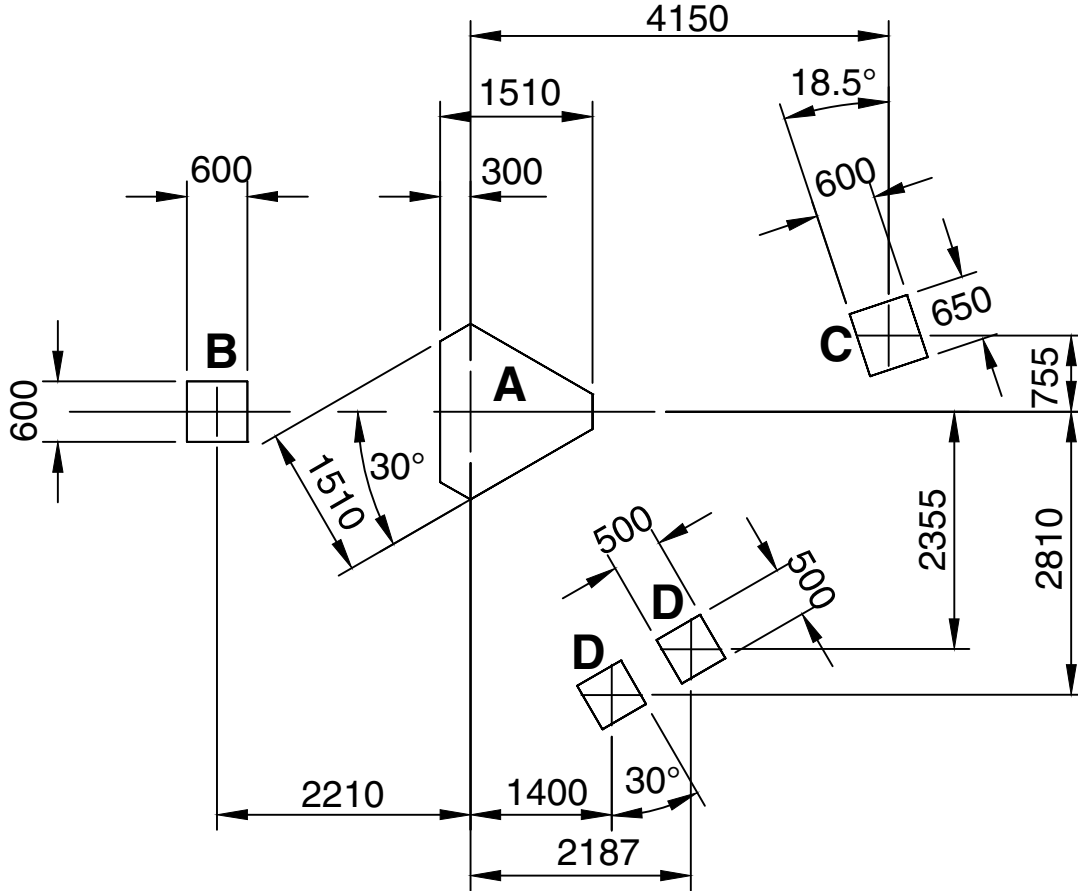


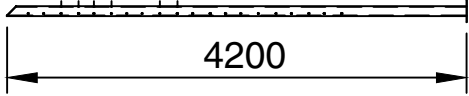
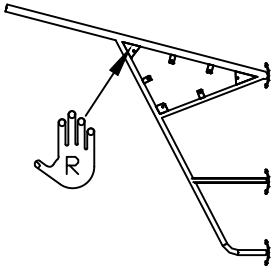
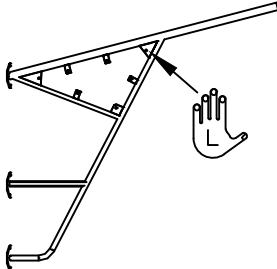
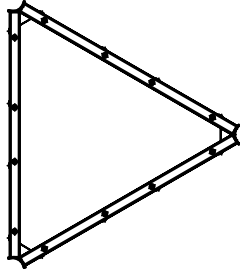
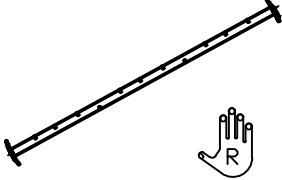
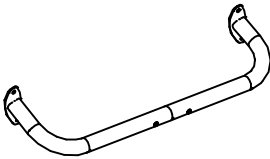


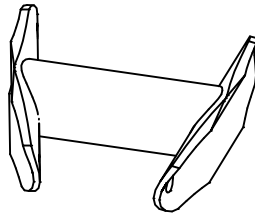
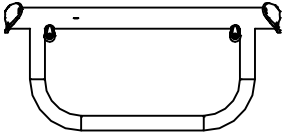
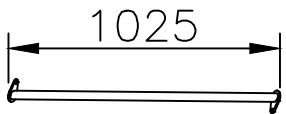
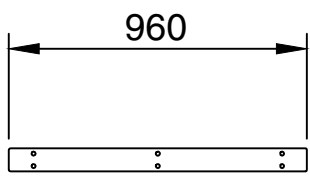
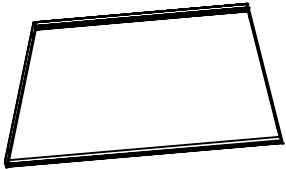
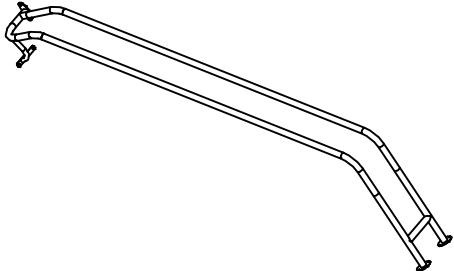
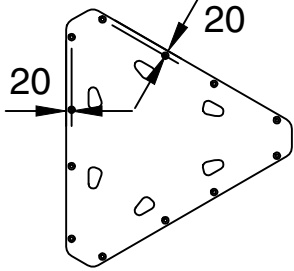
TYPE 1/2 & 3

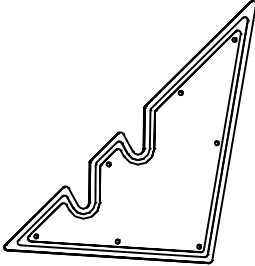
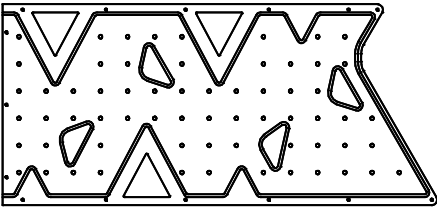
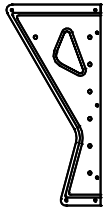
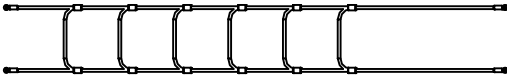

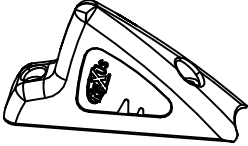
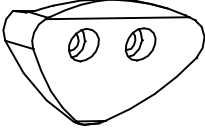
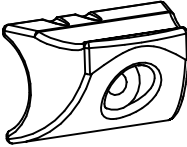


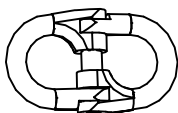
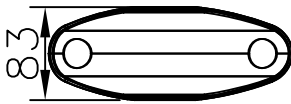
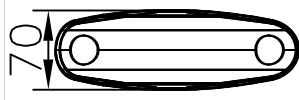
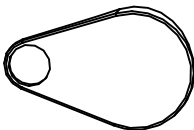

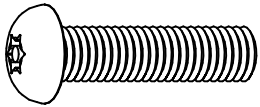
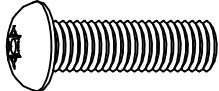
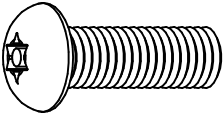
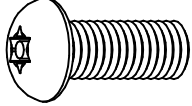
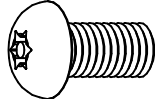
2.7 m

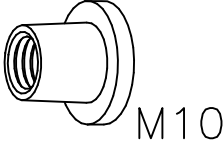


ITEM	REF	NXA-01B	QTY	kg
1	92003001		4	49.00
2	92003005		1	24.00
3	92003010		1	24.00
4	91010030		1	11.00
5	91061320		1	15.00
6	91050610		1	14.00

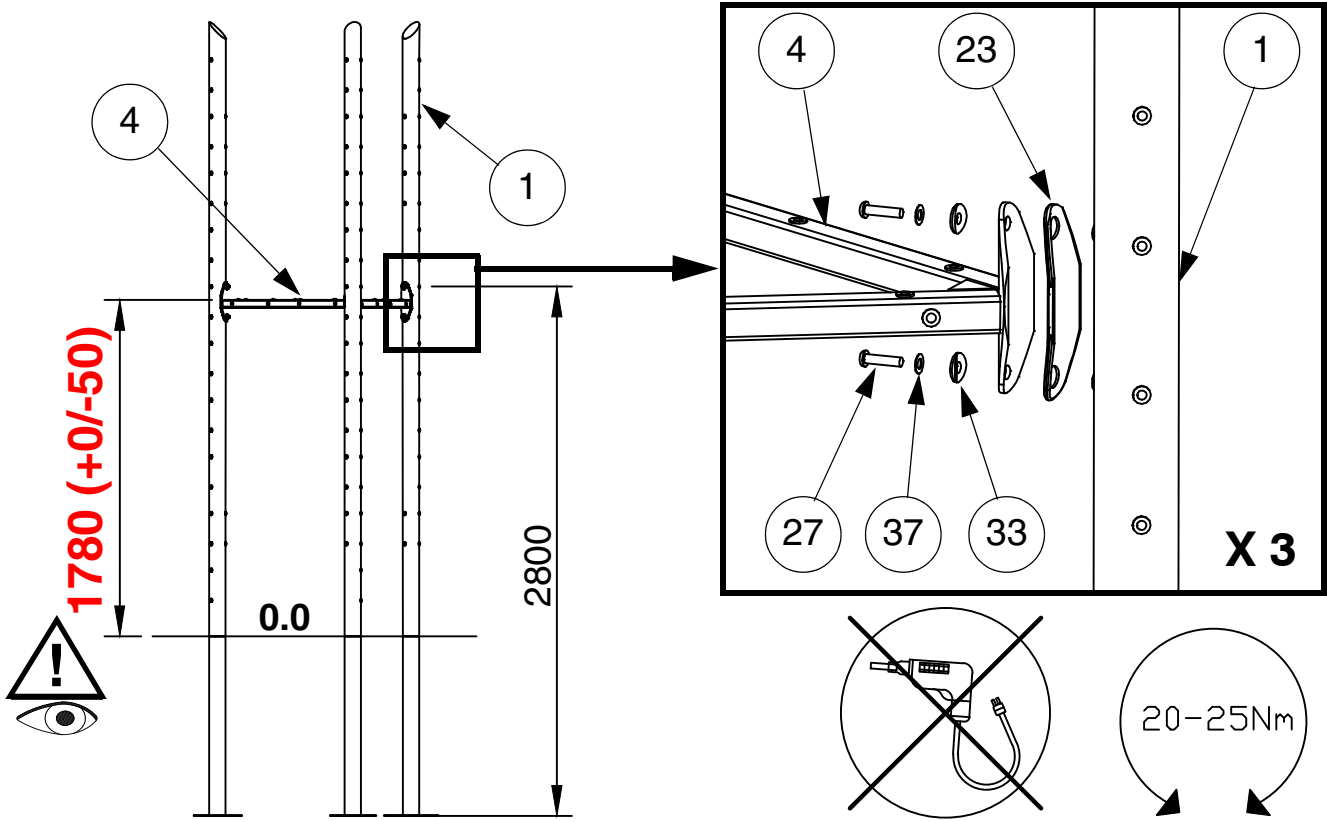
ITEM	REF	NXA-01B	QTY	kg
7	91070010		1	2.00
8	92003020		1	7.00
9	91050415		1	3.00
10	92003025		1	2.50
11	91070410		1	16.5
12	92004001		1	64.00
13	91010040		1	8.00

ITEM	REF	NXA-01B	QTY	kg
14	92002020		2	4.80
15	92002001		1	43.00
16	92002005		1	5.30
17	92006001		1	5.80
18	38008027		2	1.50
19	92004010		6	0.75
20	91070241		5	0.42
21	92004015		5	0.30

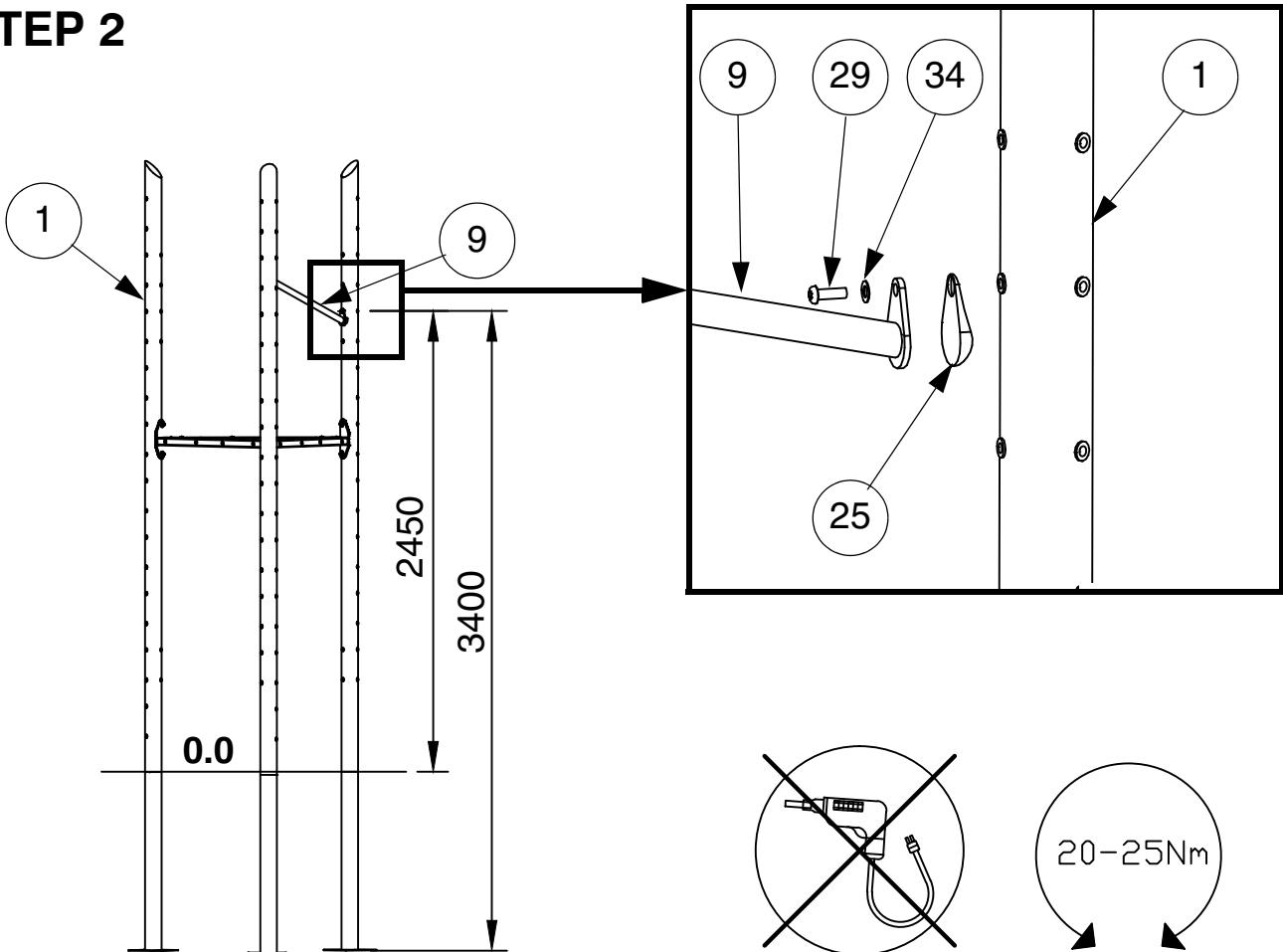
ITEM	REF	NXA-01B	QTY	kg
22	15715000		4	0.10
23	19023802		13	0.05
24	19023803		5	0.05
25	19025501		2	0.05
26	10121065	 M10 X 65	17	0.050
27	10121040	 M10 X 40	52	0.037
28	10121035	 M10 X 35	22	0.032
29	10121030	 M10 X 30	4	0.028
30	10121025	 M10 X 25	18	0.024
31	10121020	 M10 X 20	6	0.020

ITEM	REF	NXA-01B	QTY	kg
32	10931000	 M10	30	0.020
33	38001019	 M10 12X32X6.5	36	0.002
34	10291000	 M10 11X21X1	54	0.002
35	10309999	 M10 11X30X2.5	2	0.011
36	10301200	 M12 13X20X1	30	0.002
37	10301000	 M10 12X18X1	63	0.001
38	19024501		213	0.001
39	10121000	 T45 M10	2	-

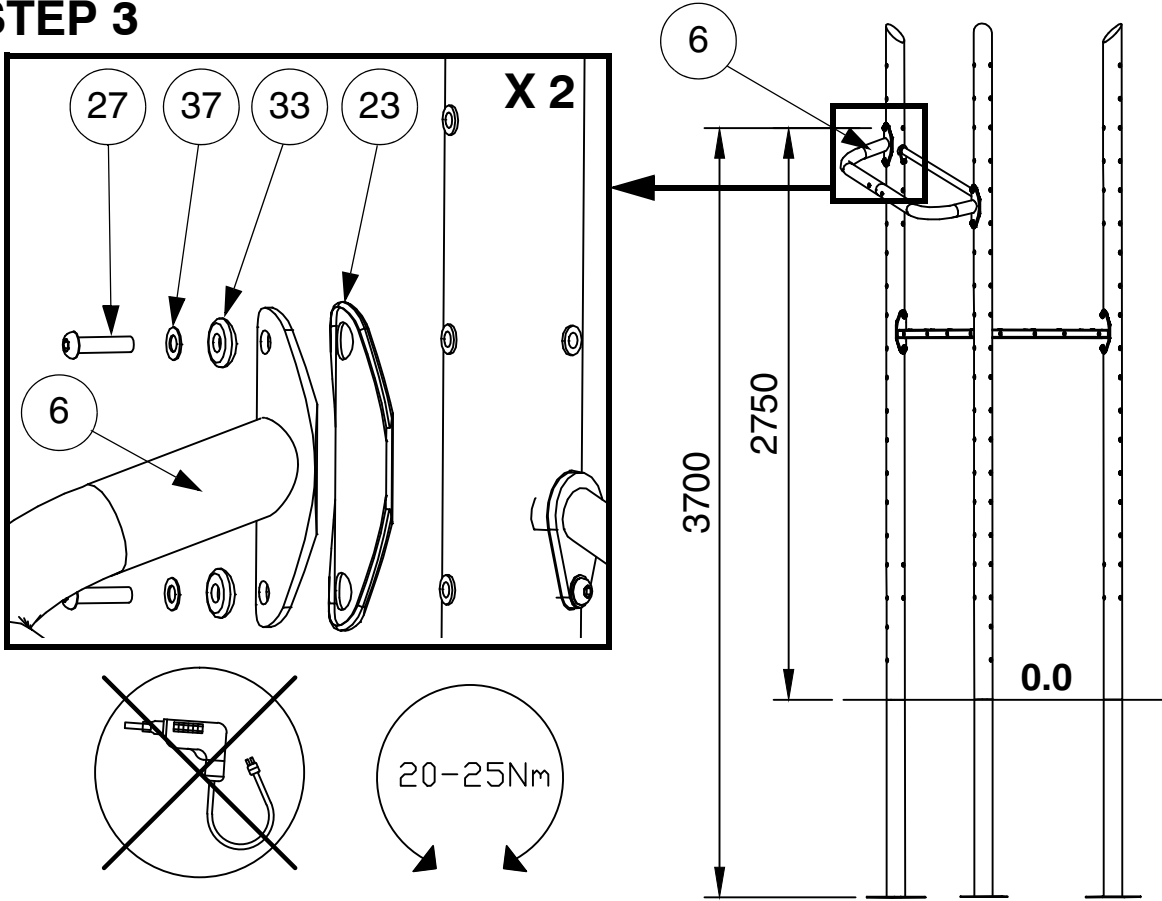
STEP 1



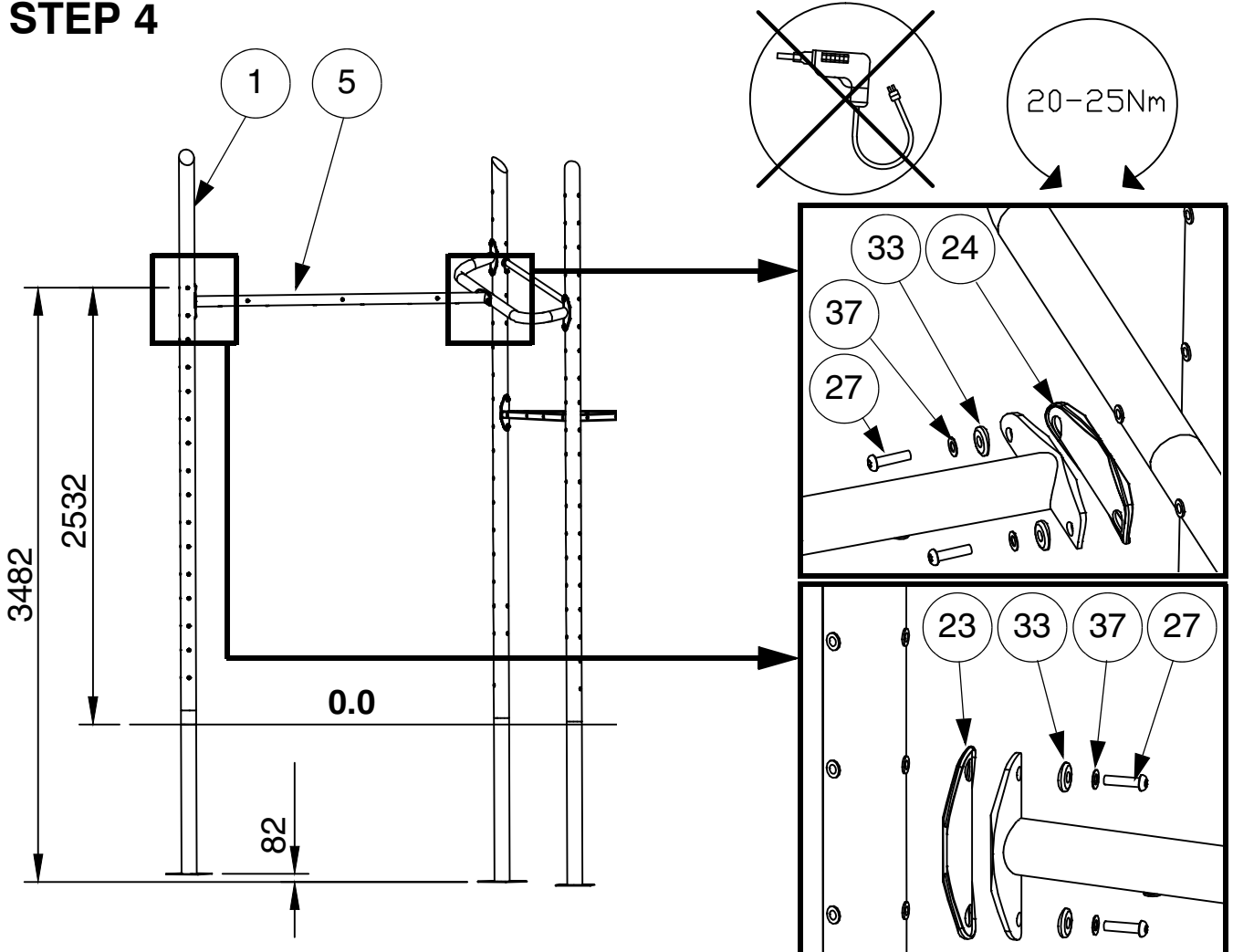
STEP 2



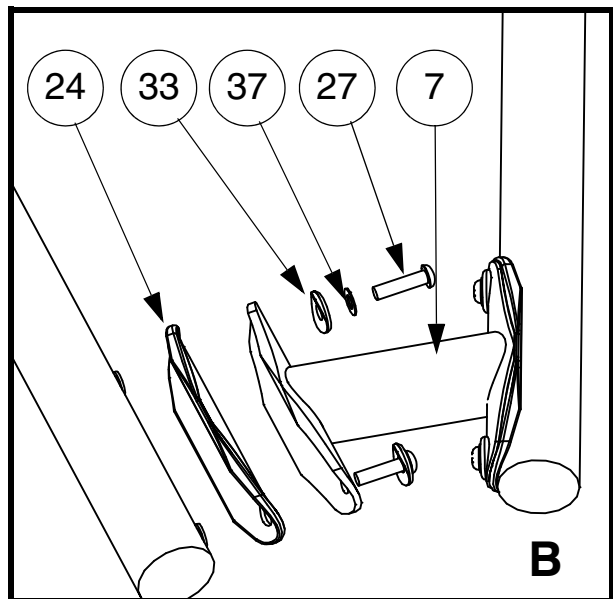
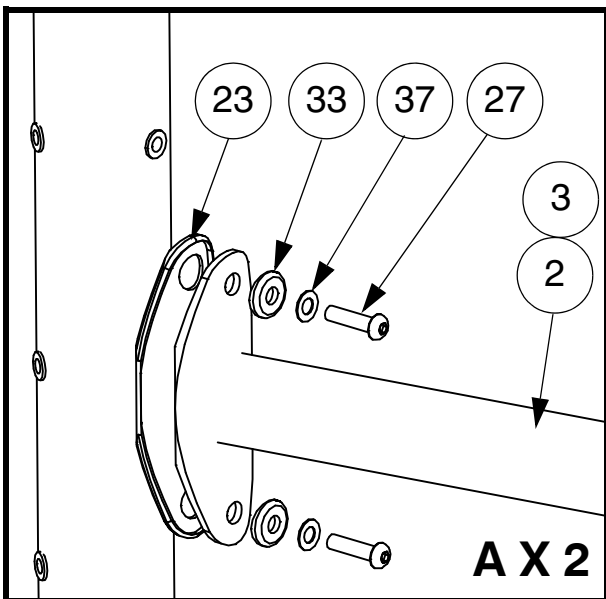
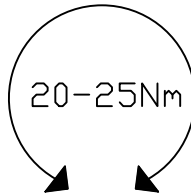
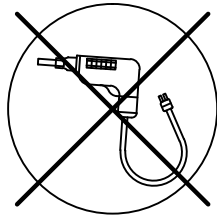
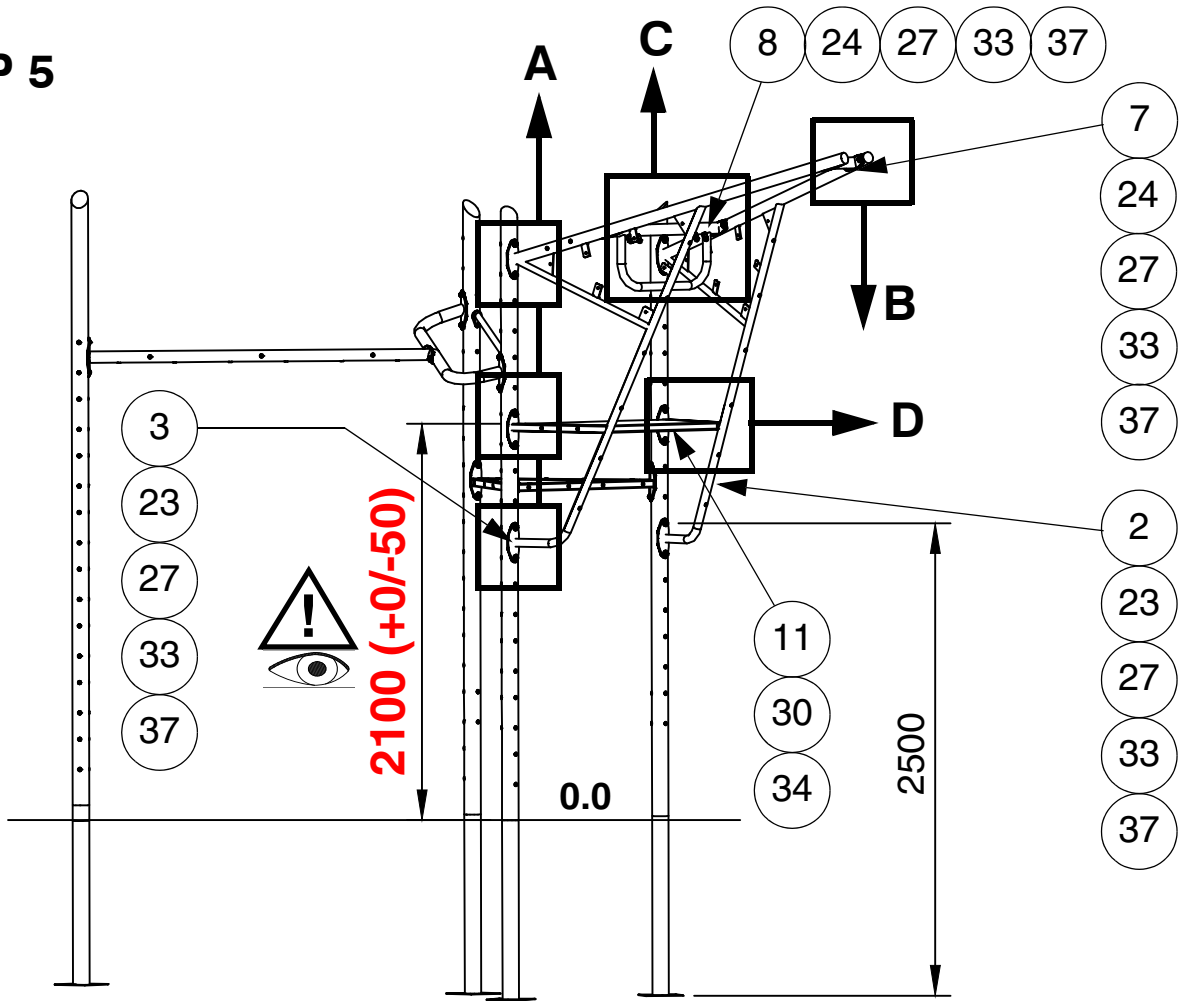
STEP 3

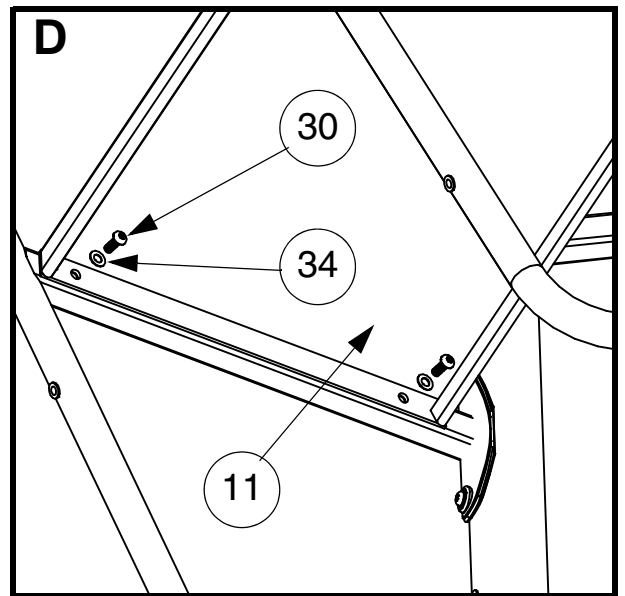
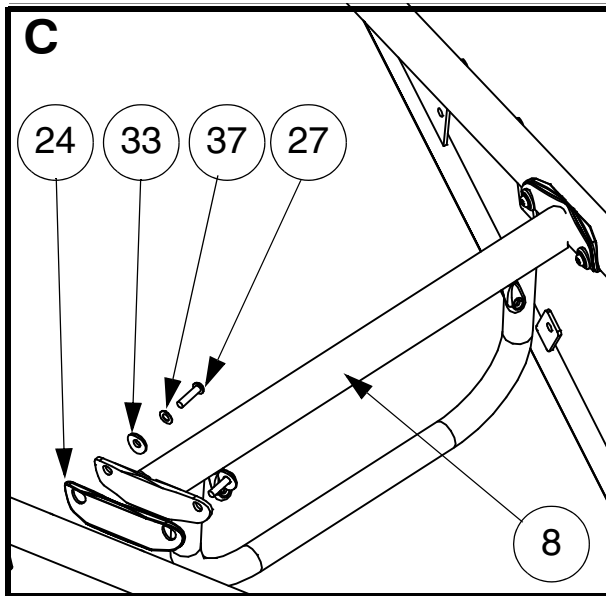


STEP 4

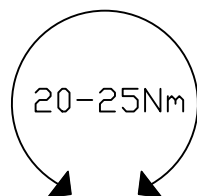
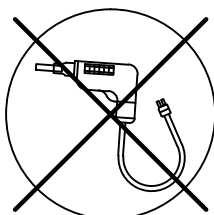
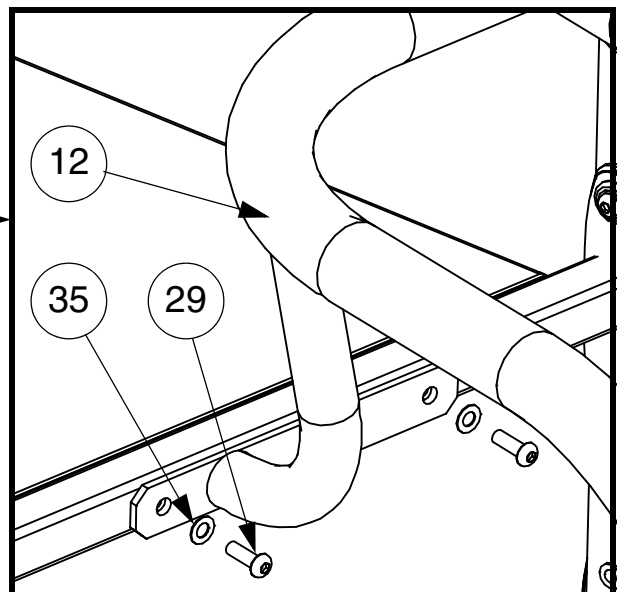
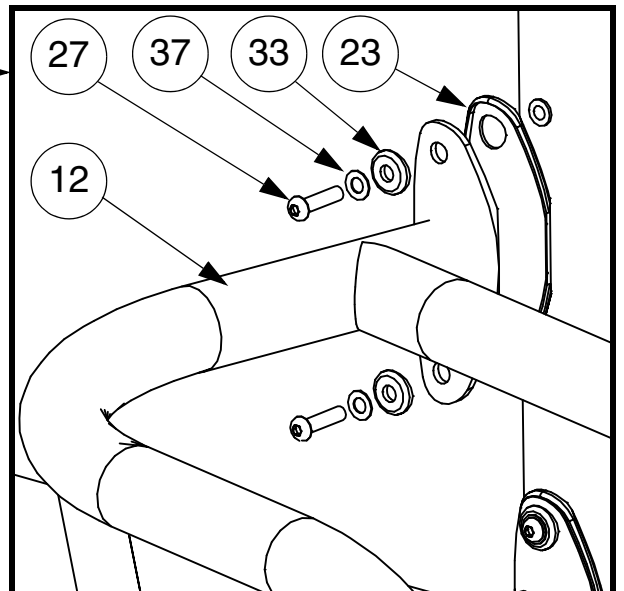
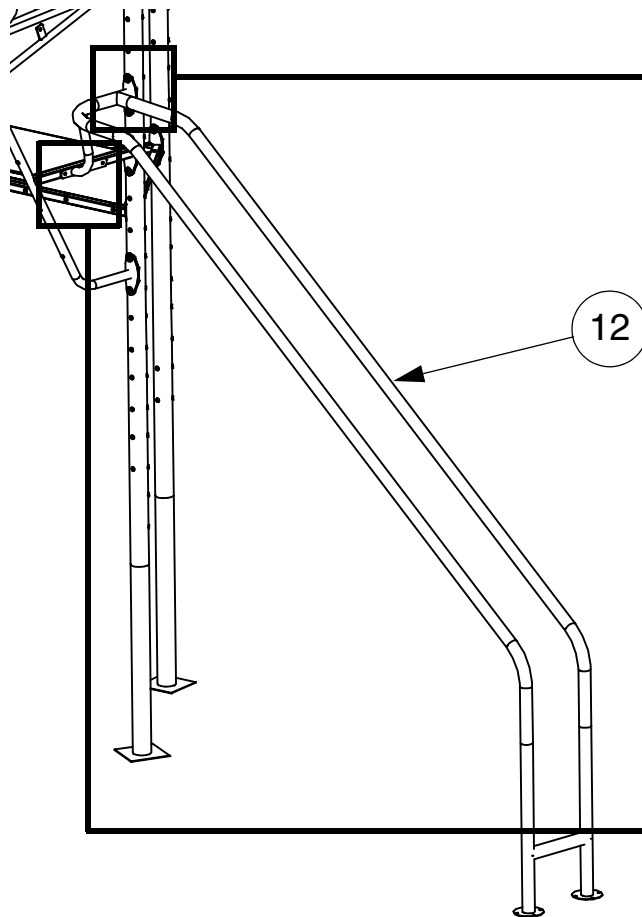


STEP 5

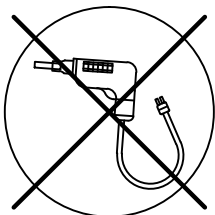
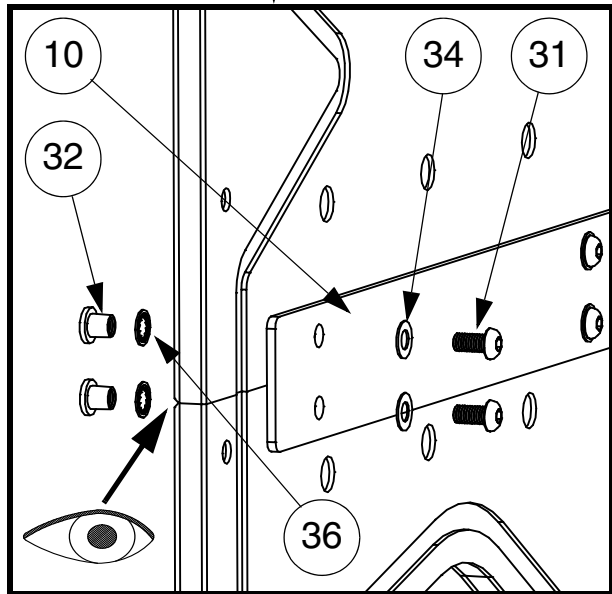
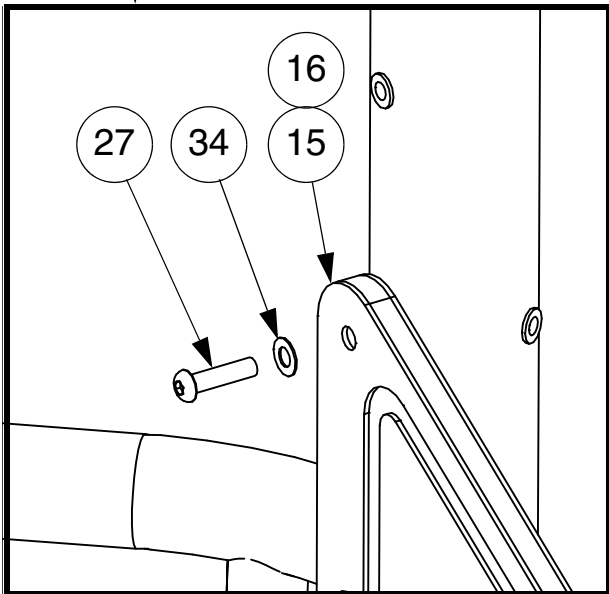
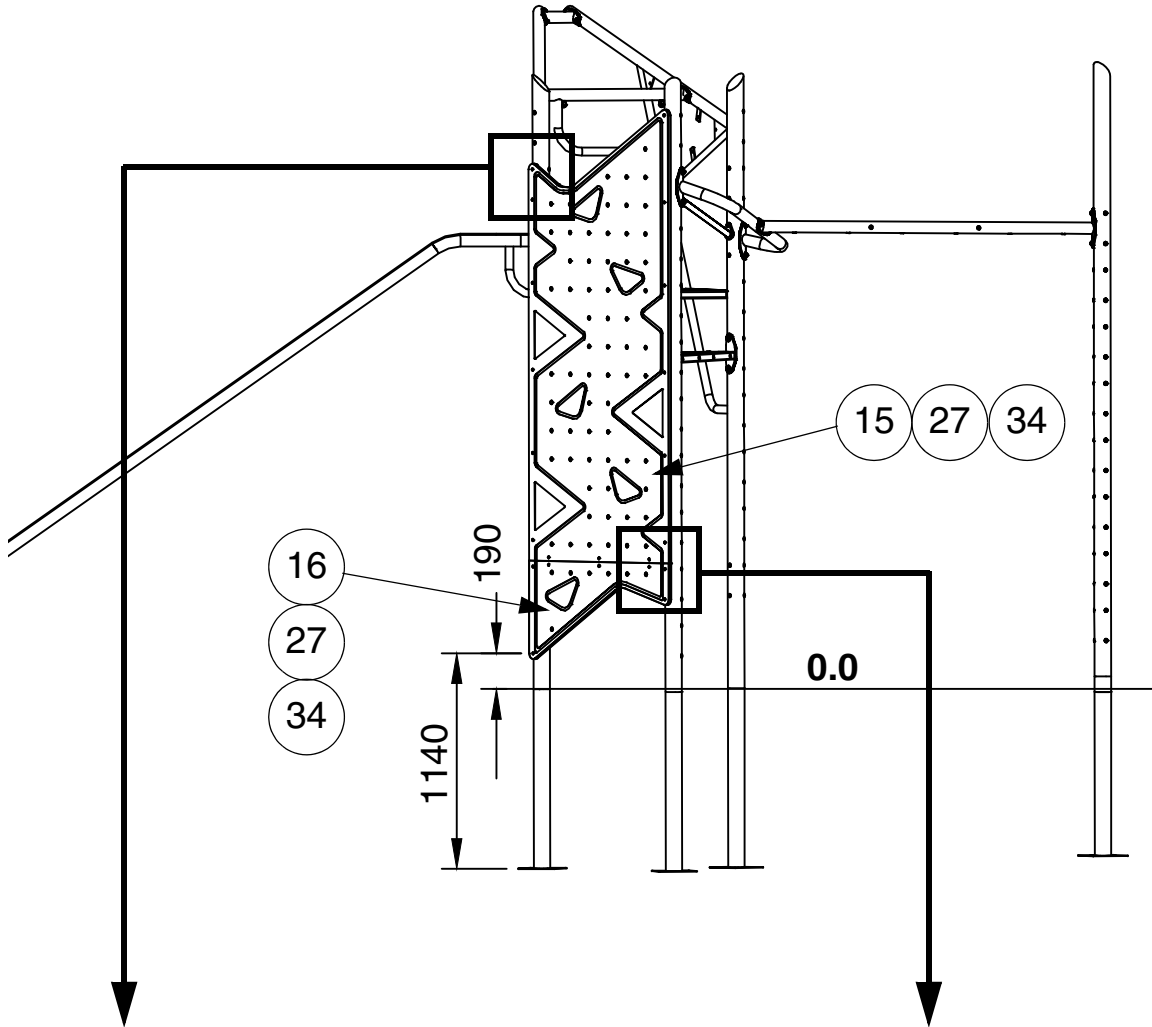




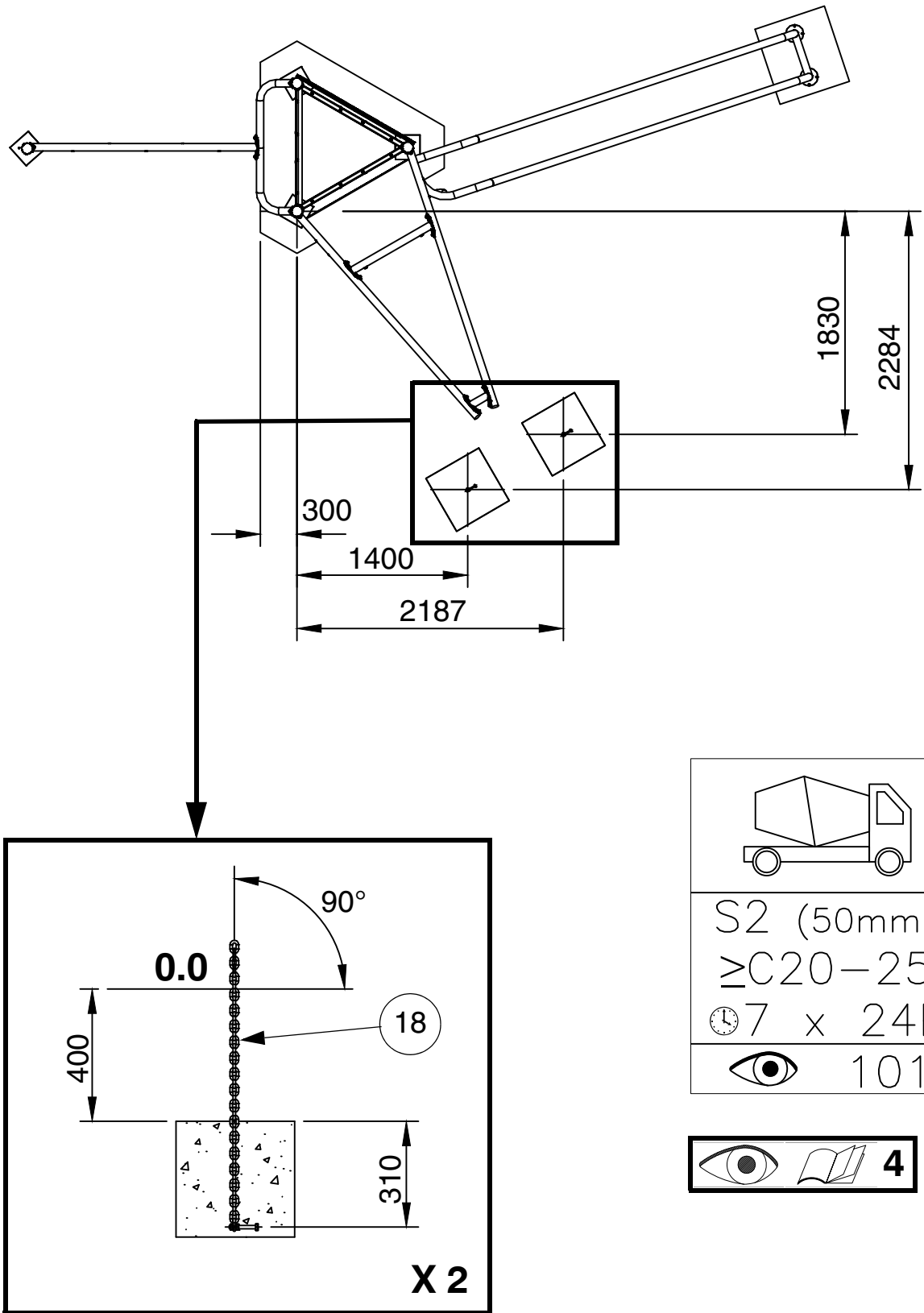
STEP 6



STEP 7



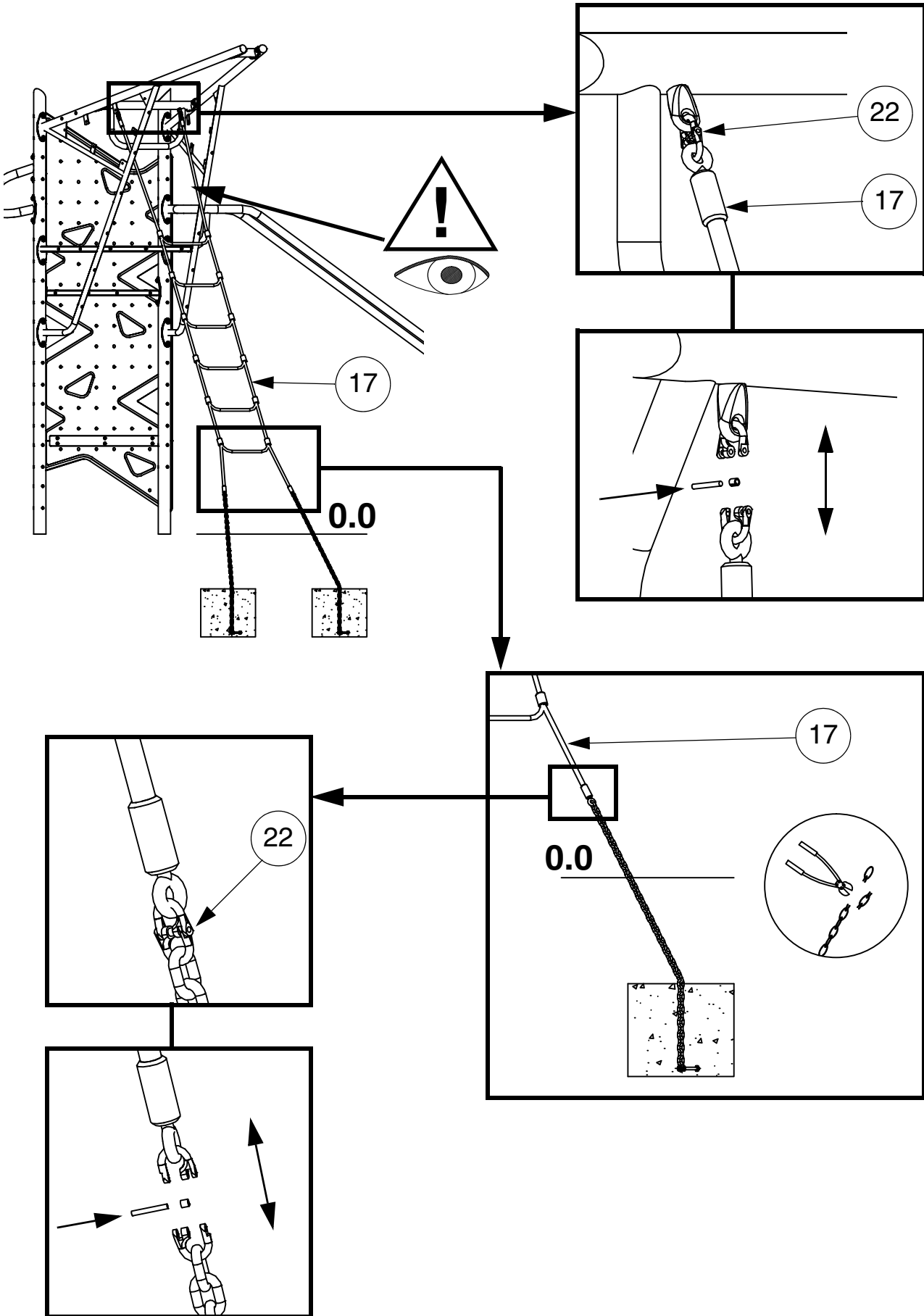
STEP 8



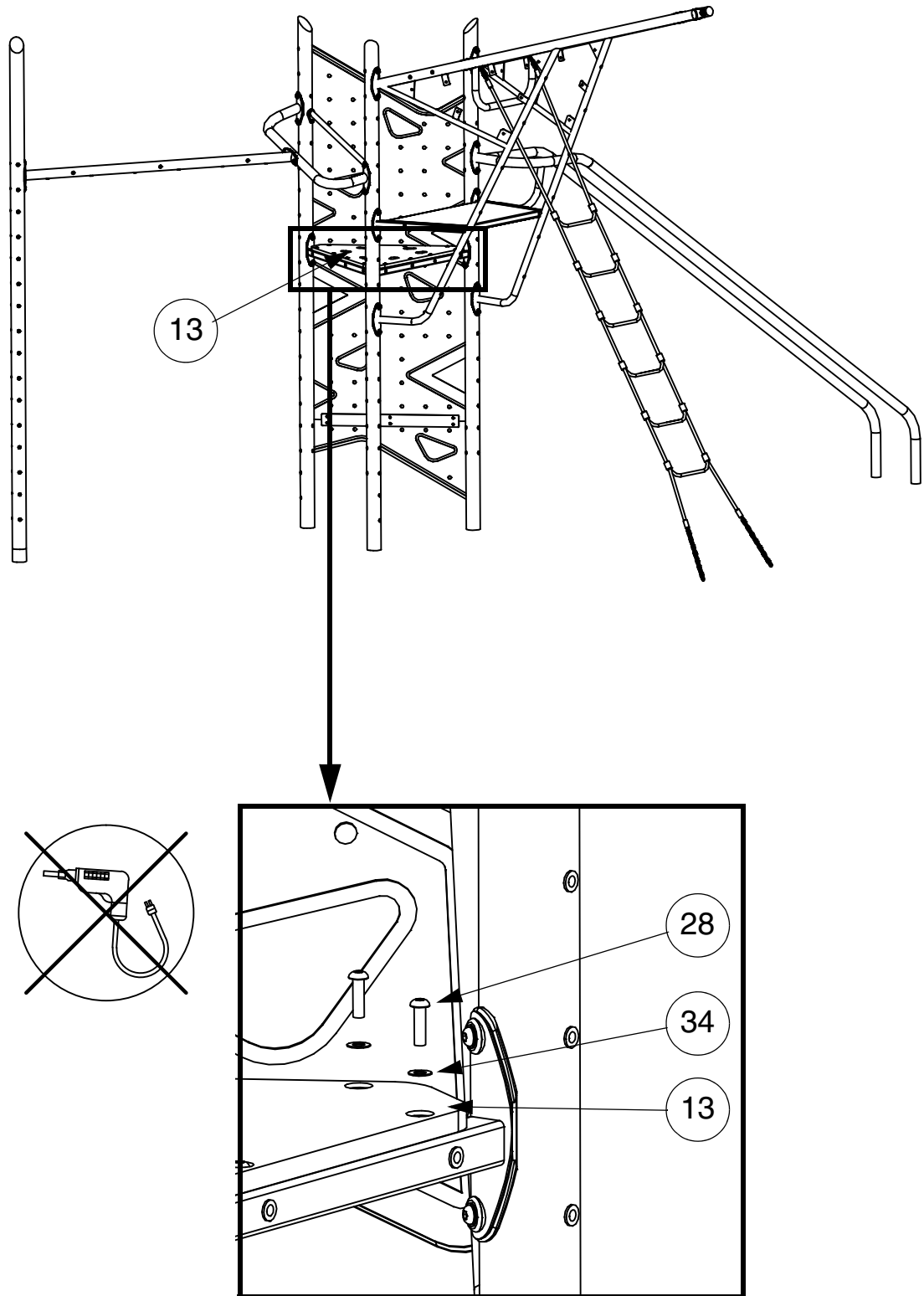
S2 (50mm)	
≥C20-25	
	7 x 24h
	101

		4
--	--	----------

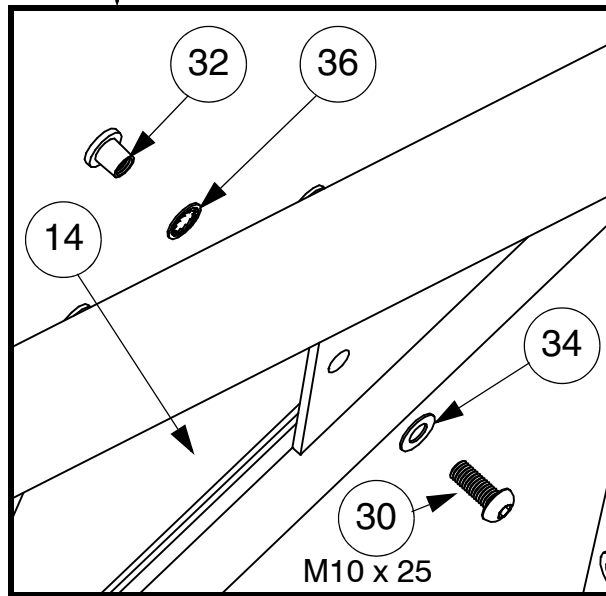
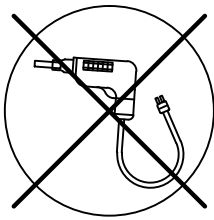
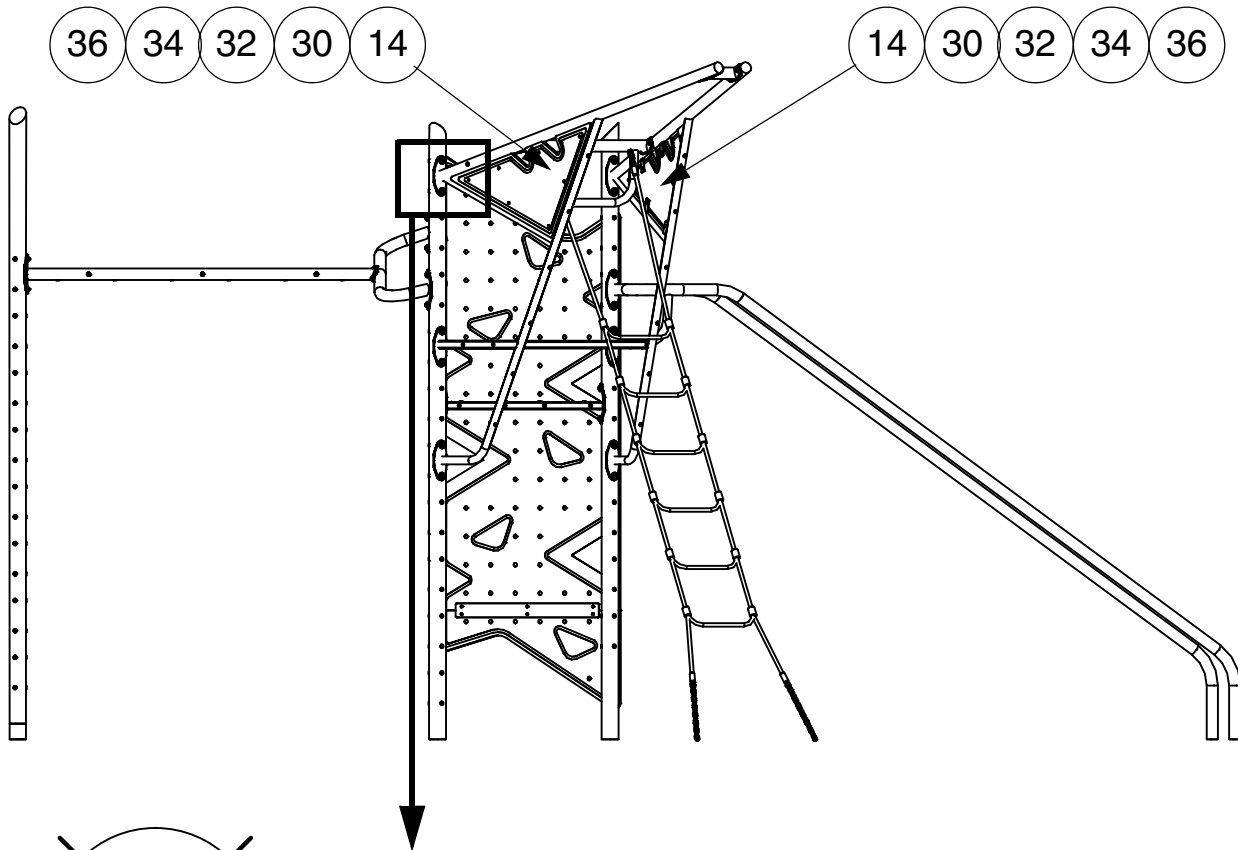
STEP 9



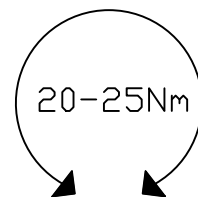
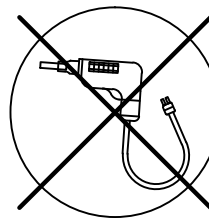
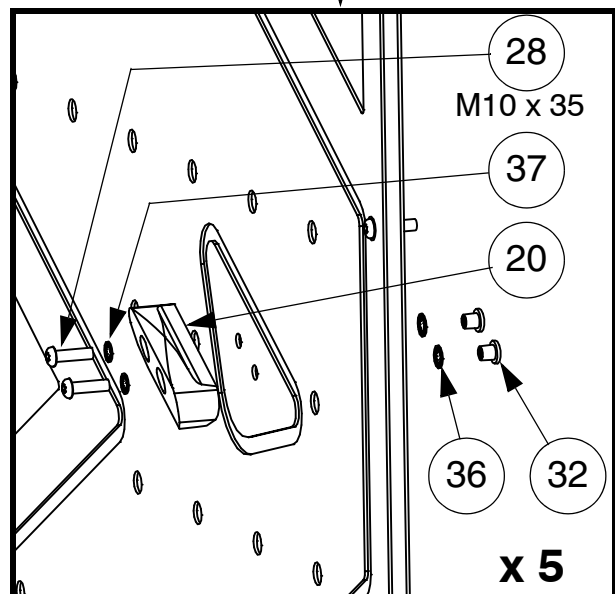
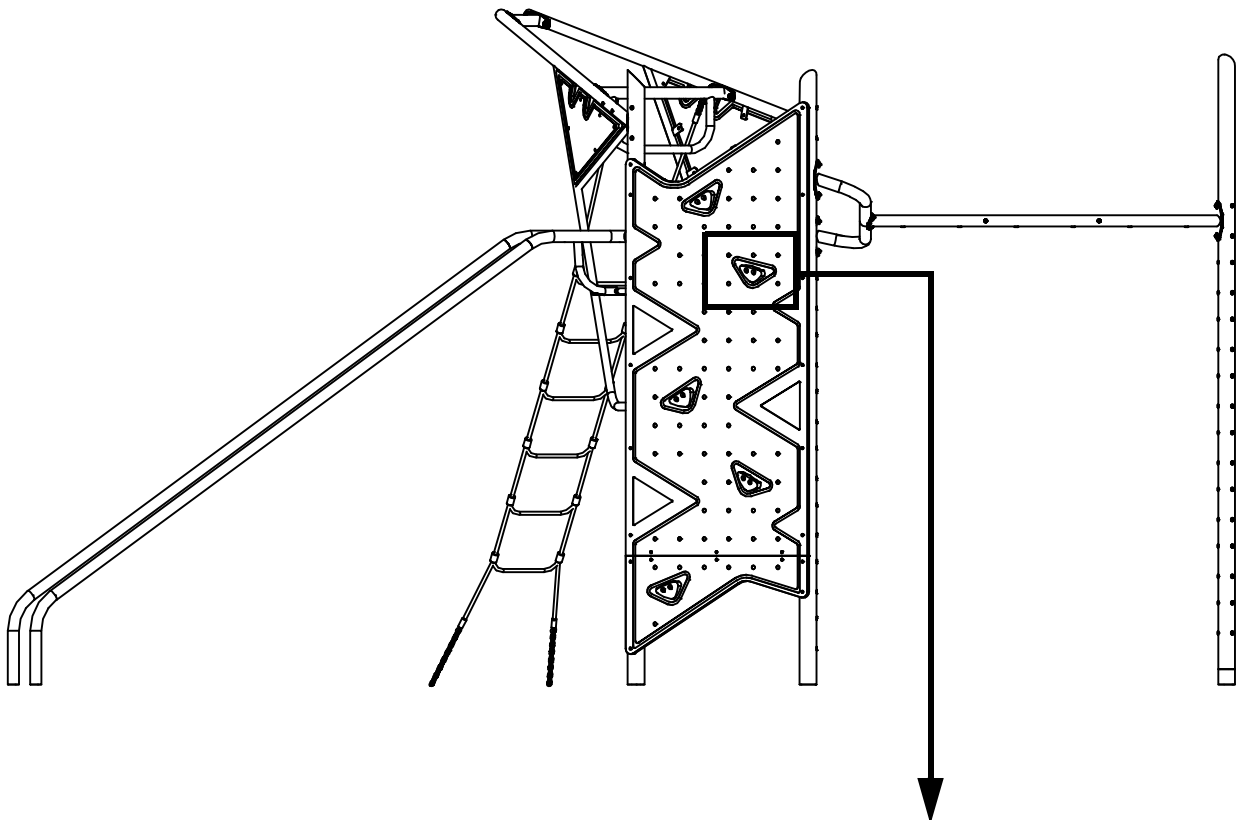
STEP 10



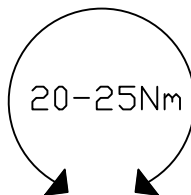
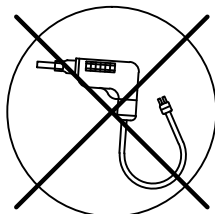
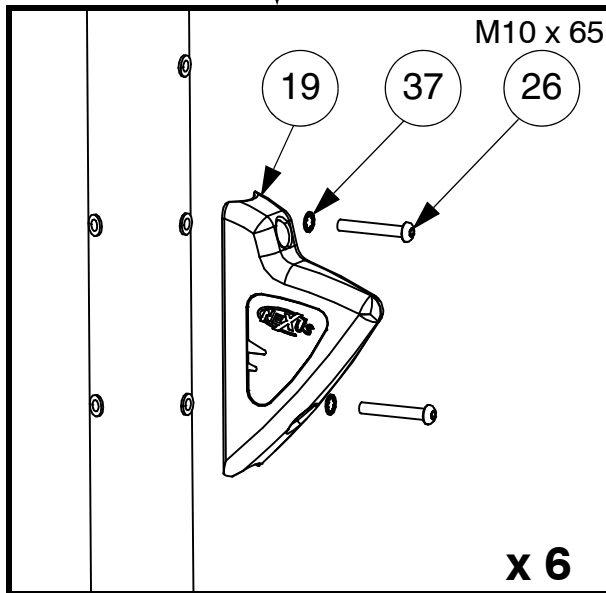
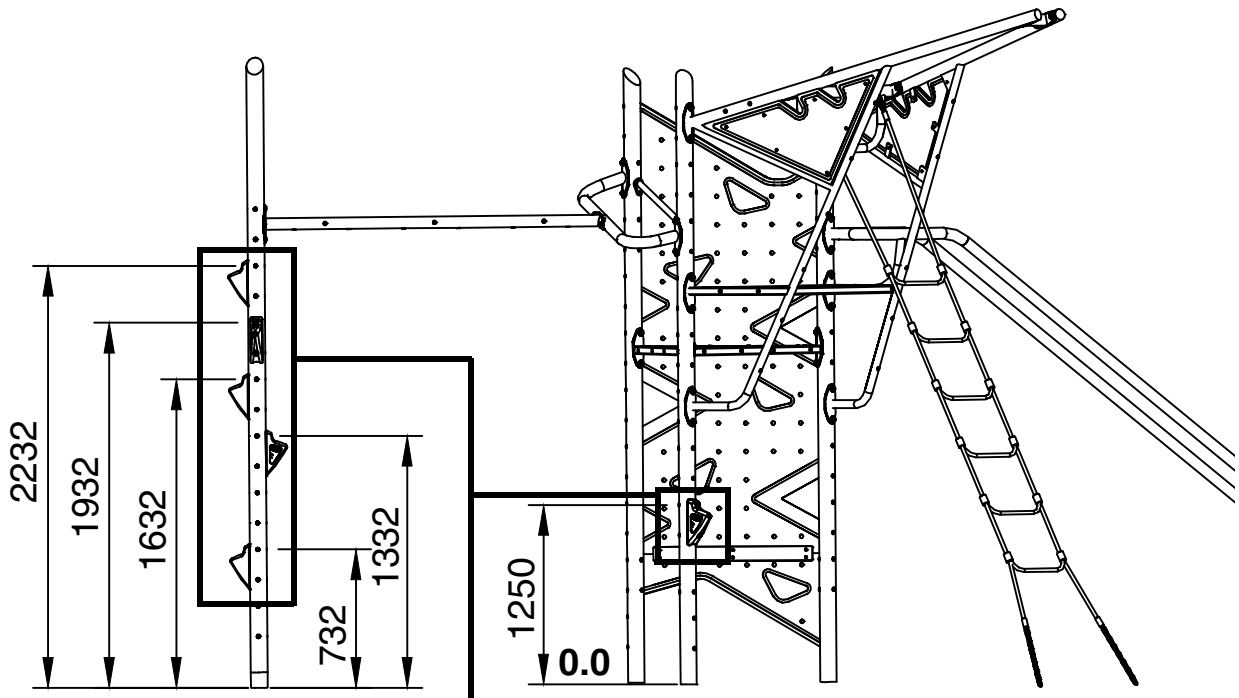
STEP 11



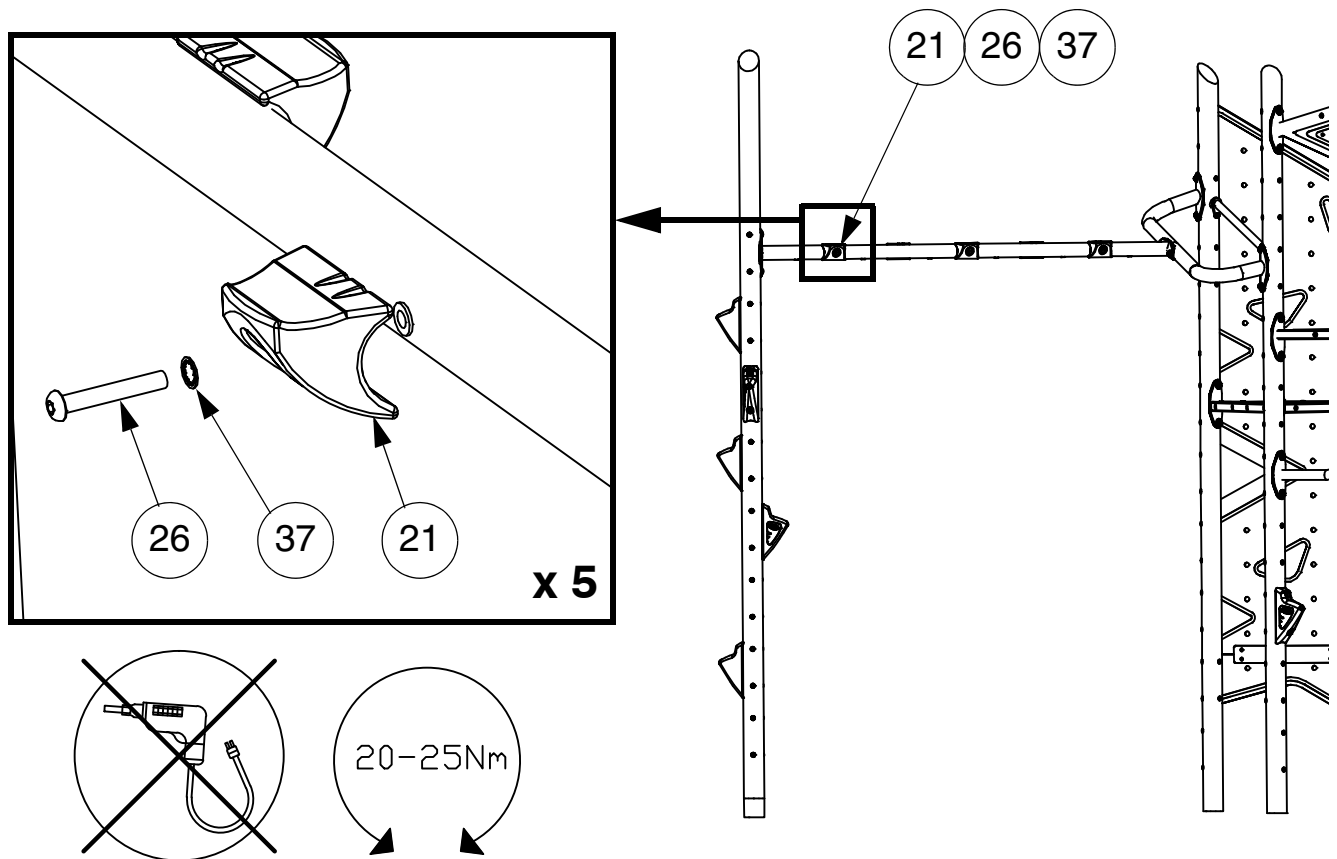
STEP 12



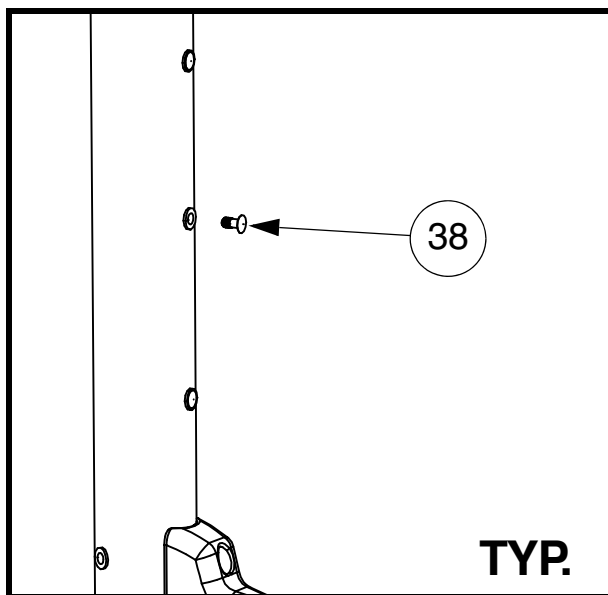
STEP 13

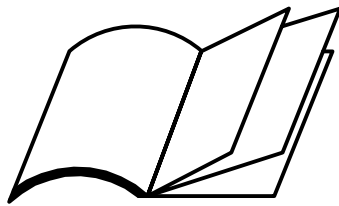


STEP 14

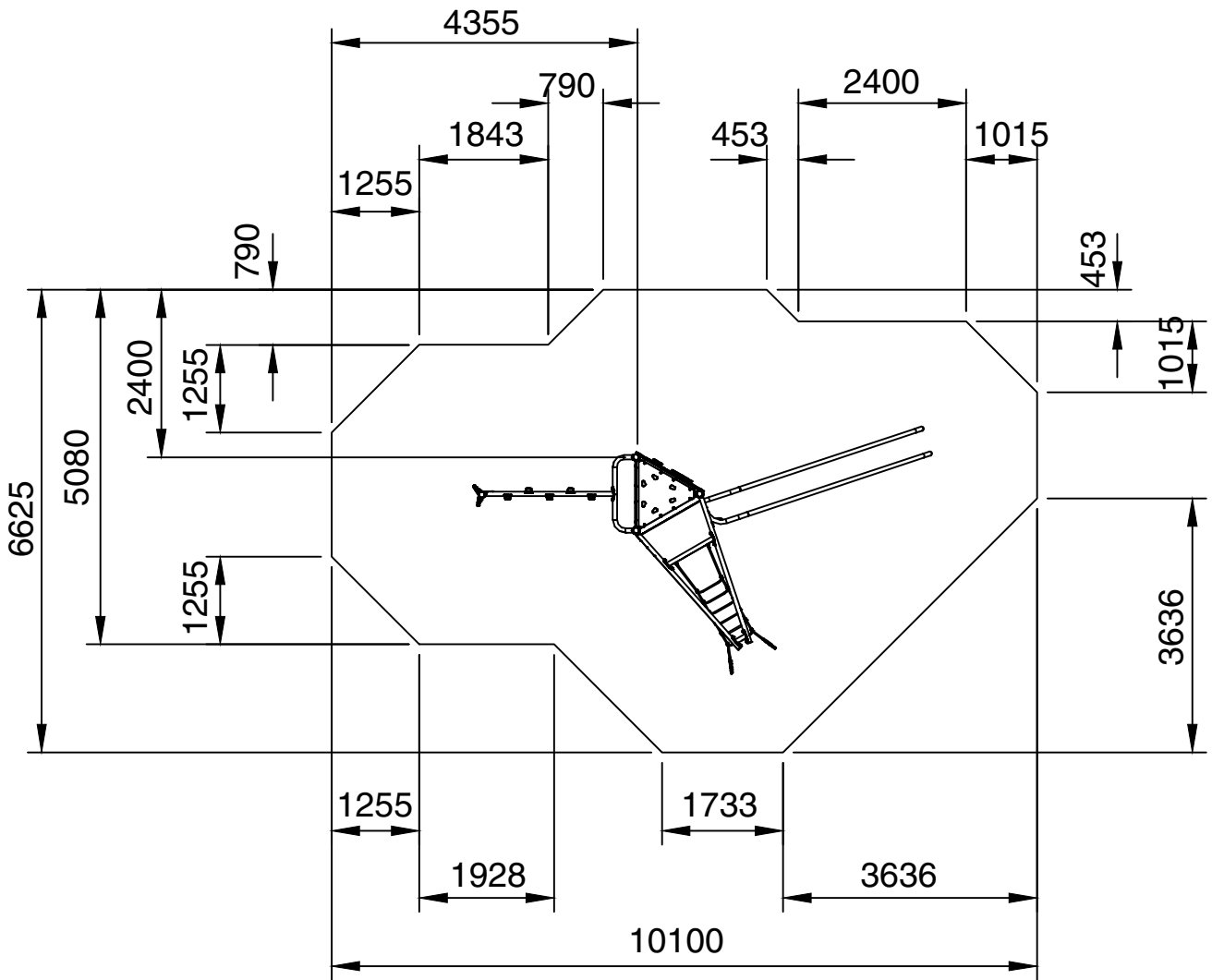


STEP 15



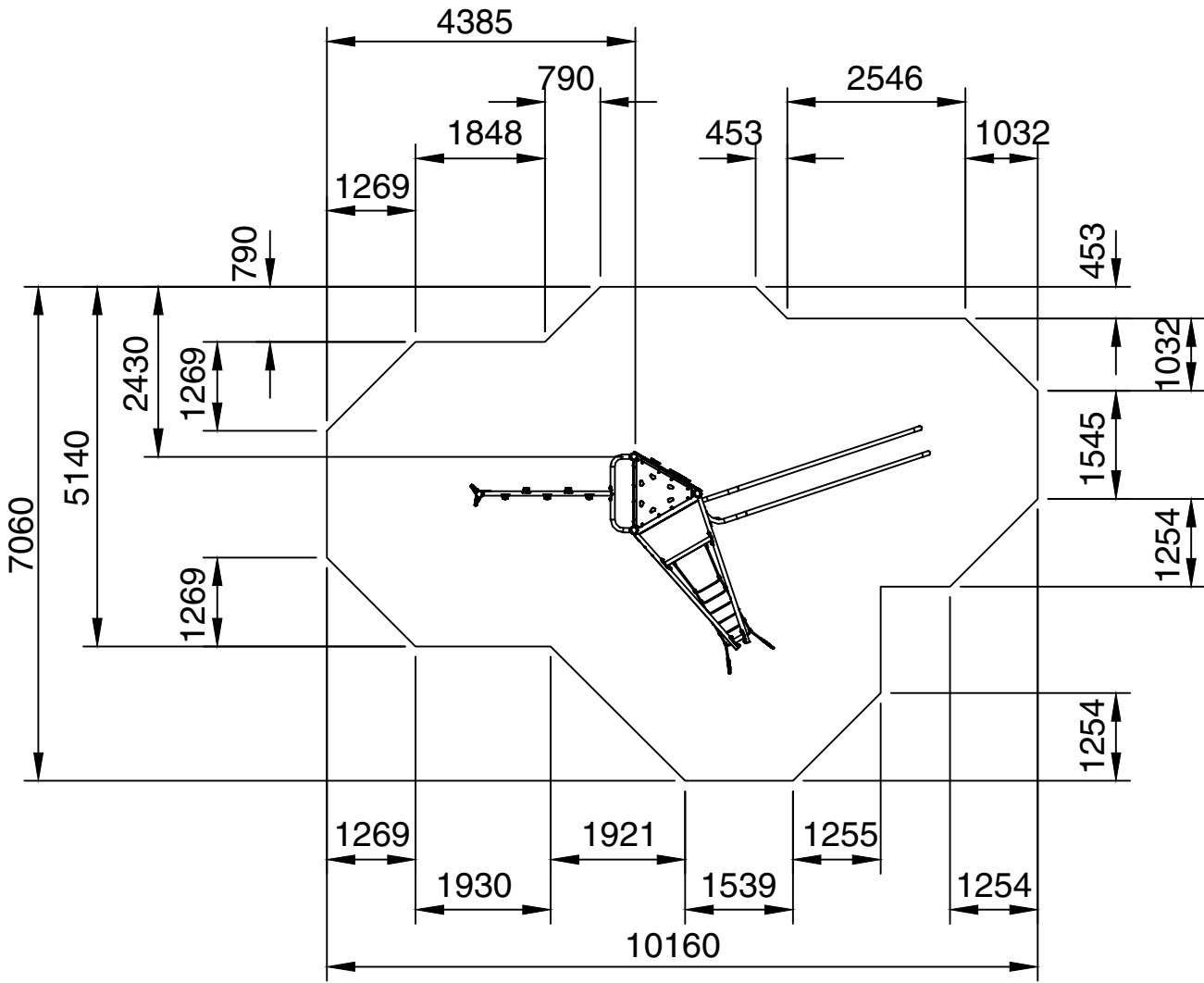


Appendix A: 0

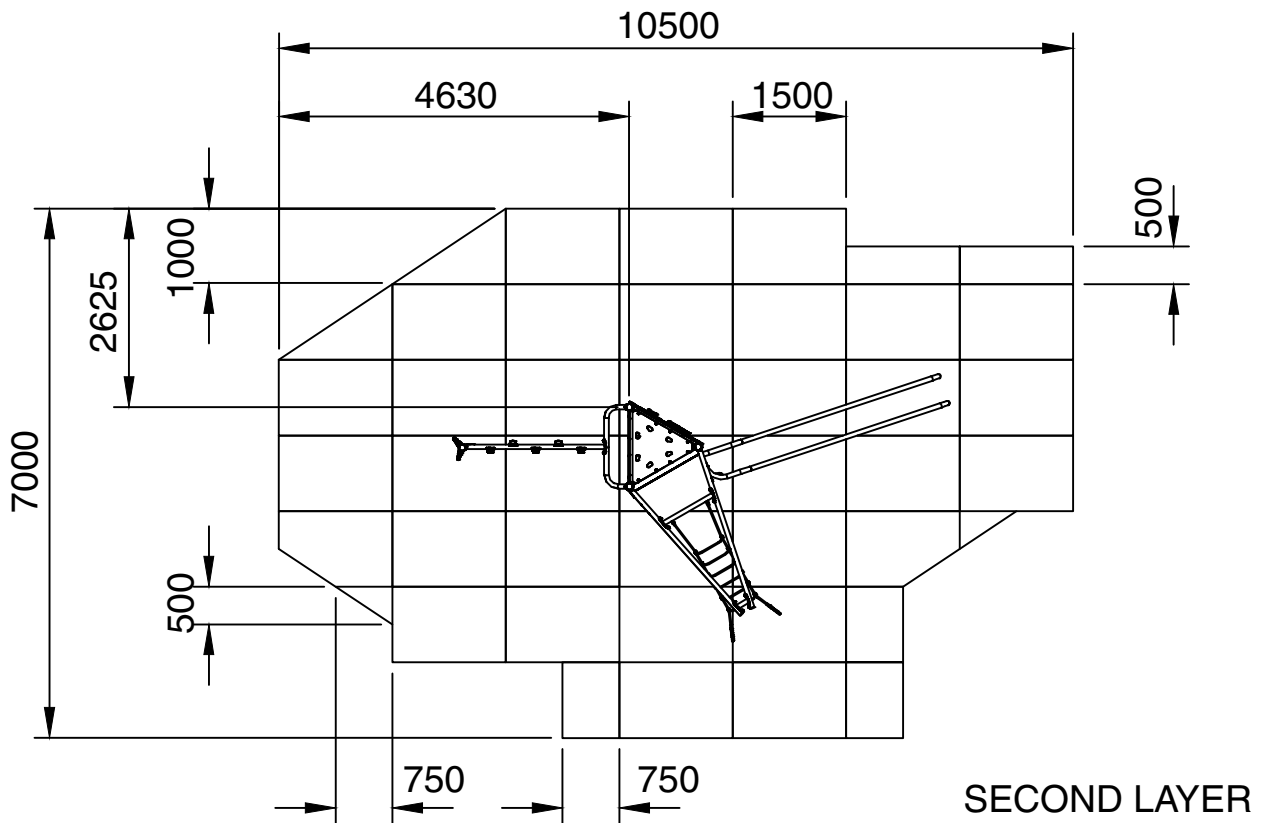
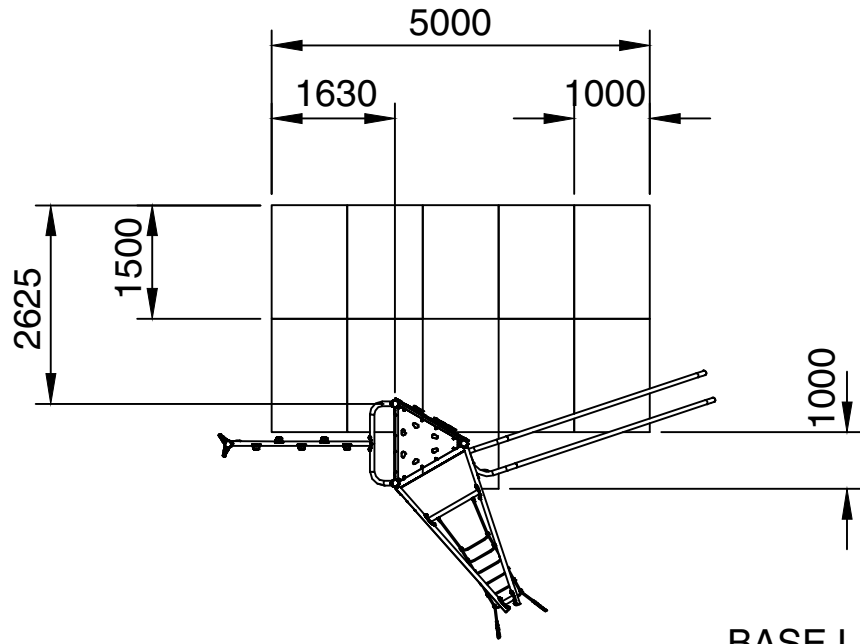


TYPE 3 SYNTHETIC





TYPE 1/2 LOOSEFILL  144



TYPE 5 GRASSMATT FR  144

